



The Americana series was designed by Miguel Milá in the mid-1960s to pay tribute to George Hansen's 1950s lamp collection. The Hansen lamps are built around a rotating arm with a swivel in the middle, dividing the horizontal axis into two sections. As a result, the arm can rotate, be folded in or opened out from the centre.

Enthralled by the idea of enhancing Hansen's remarkable geometry, Milá's Americana series is also based on a swing arm, although here the arm is a single section with a right-angled bend. Accordingly, the head of the shaft becomes the swivel that enables the shade's horizontal rotation, reducing the lever effect. The arm can be moved towards you or away from you without shifting the large metal base, evoking the swing motion.

The Americana series includes a table lamp, a floor lamp and a wall lamp; all featuring a white linen lampshade and satin nickel structure with a rotating arm. The Americana series has a timeless quality and functional design, making it the perfect companion for reading or intimate conversations.

General description:

Satin nickel structure.
White linen lampshade.
Rotating arm.
Electric cable length: 2,25 m / 88.6"

Approximate weight (unpacked):

1,9 Kg / 4.1 lb

Technical information:

Light source included (CE market):
LED bulb: 4,5 W / 470 lm / 2700K / A++ (subject to updates in LED technology).
E27 - E26 / Max. hgt. 105 mm / 4.1" / Max. power 60 W

Compatible with bulbs of the Energy efficiency class (E.E.C): A++... E.
Suitable only for indoor use.
Always use the light source recommended or equivalent.

Input voltage: 100, 120, 230 Vac.
(50 Hz / 60 Hz). According to destination

Regulations:

CE
UNE-EN 60598
UNE-EN 55015
UNE-EN 60529

UL
Dry location only
UL-153
E-352592

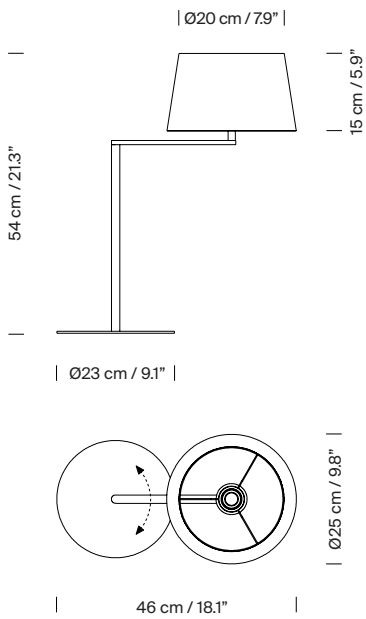
Maintenance:

Clean with a smooth cloth. Do not use ammonia, solvents or abrasive cleaning products.

Others:

The lamp is delivered in different packages.
The assembly instructions are delivered with the product.

Model:



Collection:

Table lamps

Floor lamps

Wall lamps



Americana



Americana



Americana