

## Estadio

Miguel Milá. 2015  
Wall lamp



Milá designed the powerful ring of light for the 1992 Barcelona Olympic Games. The Estadio family is reminiscent of medieval chandeliers found in palaces and cathedrals.

The wall version, consists of an elegant and imposing crown of sparkling glass. The glass blocks, which are held within a tubular metal structure, disperse the light by means of vertical rays and shadows.

The Estadio family features the wall lamp as well as various suspension diameters, completed with the linear version Línea Estadio.

### General description:

Black metal structure with white matte reflector.  
7 glass block shades.  
Diffuser in white translucent methacrylate.  
Suitable for Outlet Box (UL market).

### Approximate weight (unpacked):

11 kg / 24.25 lb

### Technical information:

Light source included (CE market):  
LED bulb: 12 W / 1521 lm / 2700K / A++ (subject to updates in LED technology).  
E27 - E26 / Max. hgt. 1160 mm / 6.3" / Max. power 75 W

Compatible with bulbs of the Energy efficiency class (E.E.C): A++... E.  
Suitable only for indoor use.  
Always use the light source recommended or equivalent.

Input voltage: 100, 120, 230 Vac.  
(50 Hz / 60 Hz). According to destination

### Regulations:

CE  
UNE-EN 60598  
UNE-EN 55015  
UNE-EN 60529

UL  
Dry location only  
UL-1598  
E-353545

## Estadio

Miguel Milá. 2015  
Wall lamp

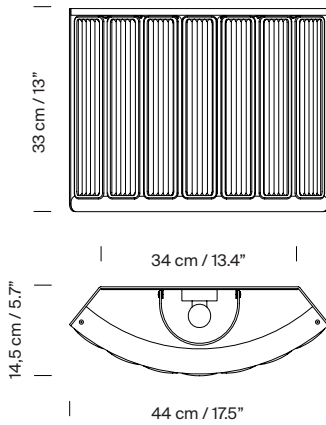
### Maintenance:

Clean with a smooth cloth. Do not use ammonia, solvents or abrasive cleaning products.

### Others:

The lamp is delivered in one package.  
The assembly instructions are delivered with the product.

### Model:



### Collection:

Wall lamps

Pendant lamps



Estadio



Estadio



Línea Estadio