

Tekiò Circular

Anthony Dickens. 2017
Pendant lamps

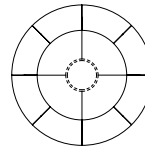


Tekiò Circular P4



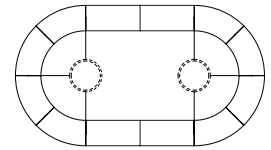
A

Tekiò Circular P8



B

Tekiò Oval P12



C



Tekiò, the Japanese word for adaptation, merges ancient artisan techniques with Warm to Dim LED technology that enables control of intensity and colour temperature. Tekiò combines traditional and avant-garde in a unique and contemporary design, featuring modern lighting structures carefully dressed in handmade paper. Linear or circular shapes can be created by combining various modules.

London designer Anthony Dickens was inspired by the traditional Japanese lantern made from washi paper, which dates back to the 14th century and is now an everyday object in the life of the Japanese. The paper, used by Isamu Noguchi to create the famous Akari lamps, has been inscribed on UNESCO's List of the Intangible Cultural Heritage of Humanity. Washi is resilient and ductile, even malleable. It has a warm texture that filters in a soft, gentle light. Santa & Cole relies on the hands of experts in the Japanese city of Mito for manufacturing the paper, one of the cities specialised in its production.

General description:

Washi Japanese paper shade.

Metal structure.

(A) \varnothing 69 cm / 27.2" for 4 lampshades.

(B) \varnothing 140 cm / 55.1" for 8 lampshades.

(C) \varnothing 250 x 140 cm / 98.4" x 55.1" for 12 lampshades.

2 options of white grey metallic canopy with power supply incorporated:

Circular canopy \varnothing 29 cm / 11.4"

Rectangular (B / C models) 330 x 96 x 45 cm.

Methacrylate inner diffuser.

Electric cable length: 5 m / 196.8"

Approximate weight (unpacked):

(A) Tekiò Circular P4: 5,5 Kg / 12.1 lb

(B) Tekiò Circular P8: 15 Kg / 33.1 lb

(C) Tekiò Oval P12: 20 Kg / 44.1 lb

Tekiò Circular

Anthony Dickens. 2017
Pendant lamps

Technical information:

Light source included (dimmable).
LED strip.

(A)

Rated input wattage: 72 W / UL 54 W
Luminous flux: 3.050 lm / UL 2.257 lm

(B)

Rated input wattage: 200 W / UL 150 W
Luminous flux: 8.084 lm / UL 5.983 lm

(C)

Rated input wattage: 300 W / UL 246 W
Luminous flux: 13.091 lm / UL 9.818 lm

Operating voltage: 24 VDC

CCT: 2.200K - 2.700K

CRI: 85

Lifetime: 40.000 h

Built-in LED

Suitable for dimming 1-10V / UL 0-10V. (Not included external dimmer switch 1-10V / UL 0-10V).

Dim to Warm control 2200K- 2700K.

Energy efficiency class (E.E.C): A+... A.

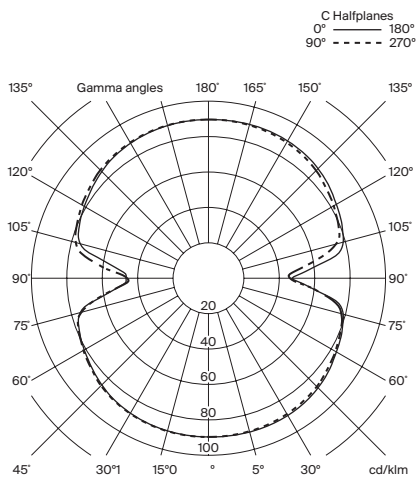
Suitable only for indoor use.

Always use this light source.

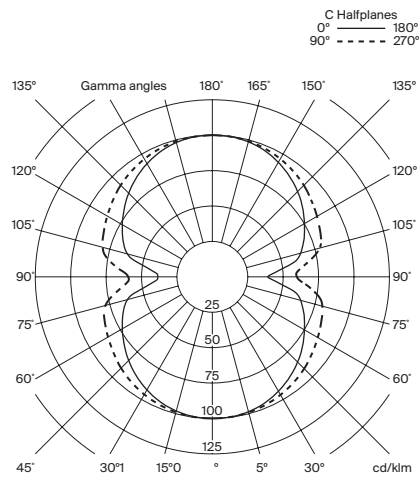
Input voltage: 100 ~ 277 Vac.

(50 Hz / 60 Hz). According to destination.

Model A/B: Tekiò Circular



Model C: Tekiò Oval P12



Regulations:

CE	UL
UNE-EN 60598	Dry location only
UNE-EN 55015	UL-1598
UNE-EN 60529	UL-8750
	E-336377

Maintenance:

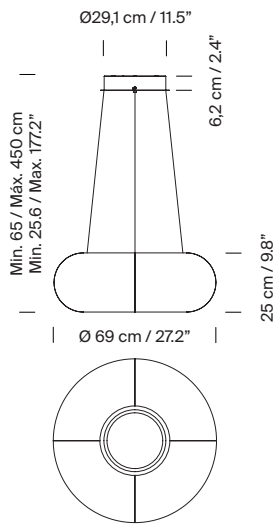
Clean with a smooth cloth. Do not use ammonia, solvents or abrasive cleaning products.

Others:

The lamp is delivered in different packages.

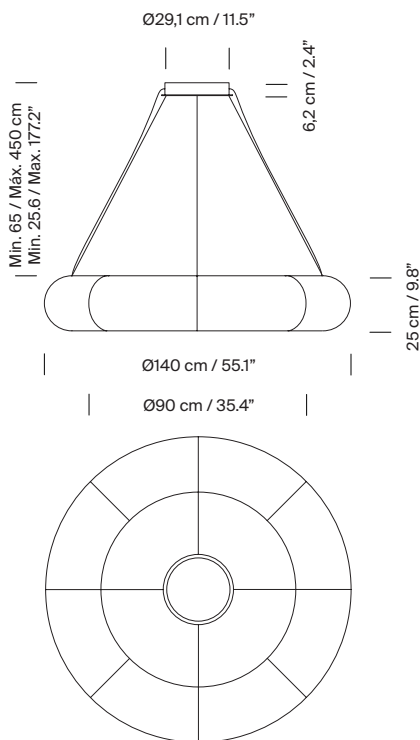
The assembly instructions are delivered with the product.

Model A: Tekiò Circular P4

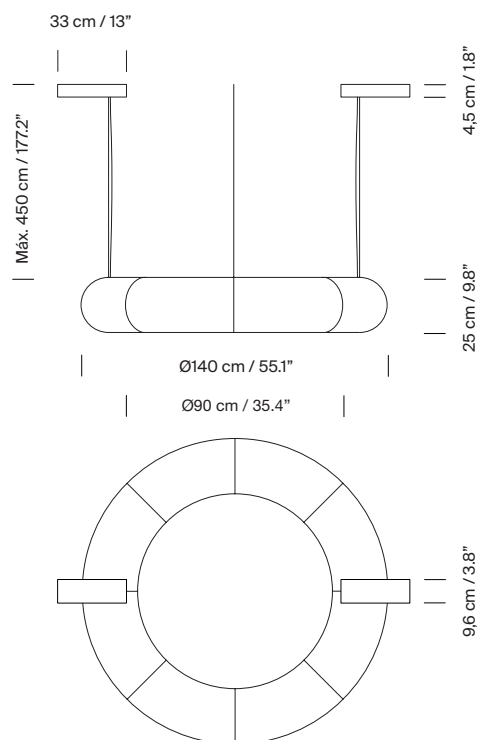


Model B: Tekiò Circular P8

Circular canopy

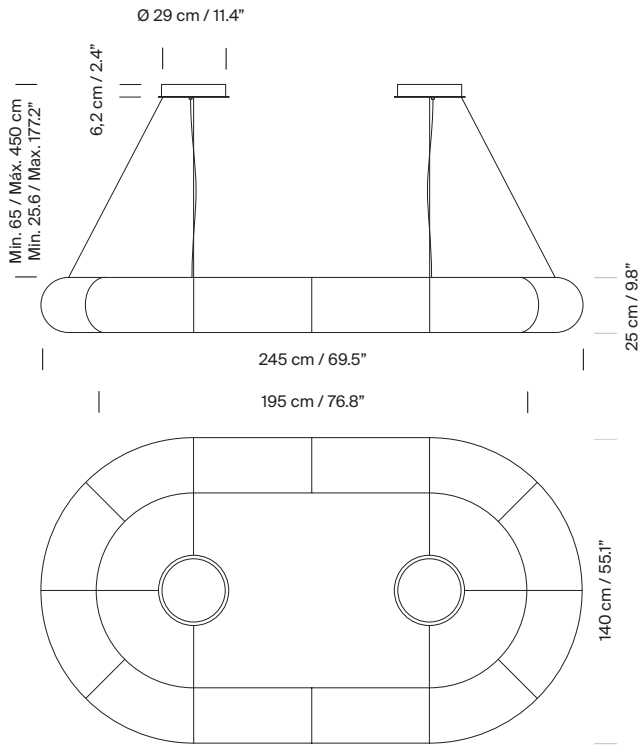


Rectangular canopy

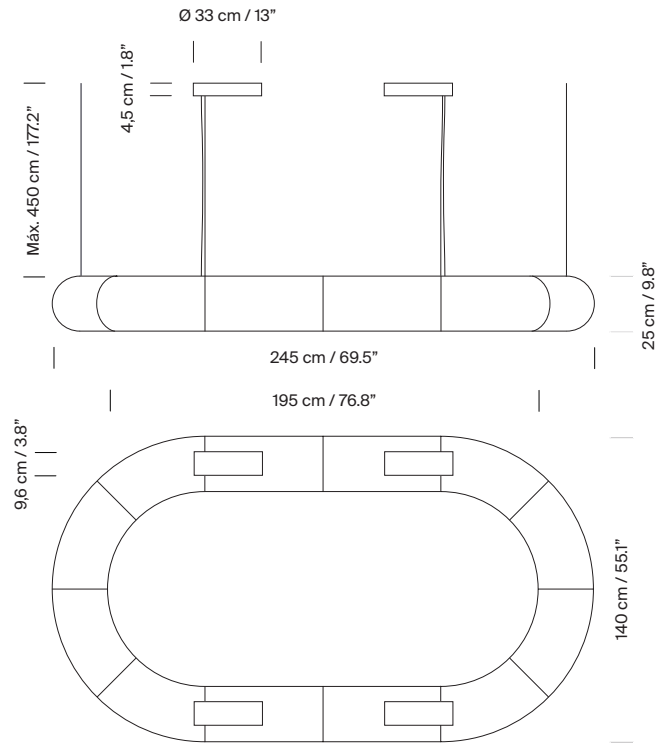


Model B: Tekiò Oval P12

Circular canopy



Rectangular canopy



Collection:
 Pendant lamps



Tekiò Vertical



Tekiò Horizontal



Tekiò Circular